

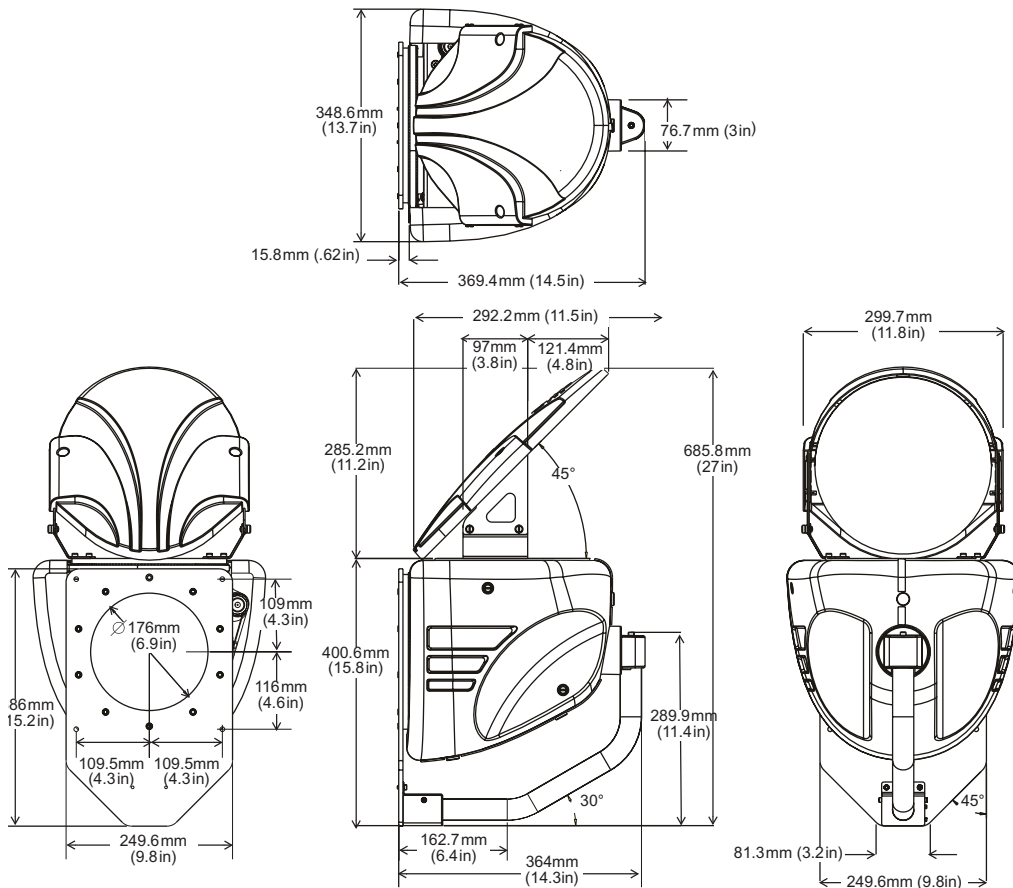
ArenaView Orbital Head Specifications

Physical Specifications

Mirror Head

Dimensions: 349mm x 369mm x 686mm (13.7in x 14.5in x 27in).

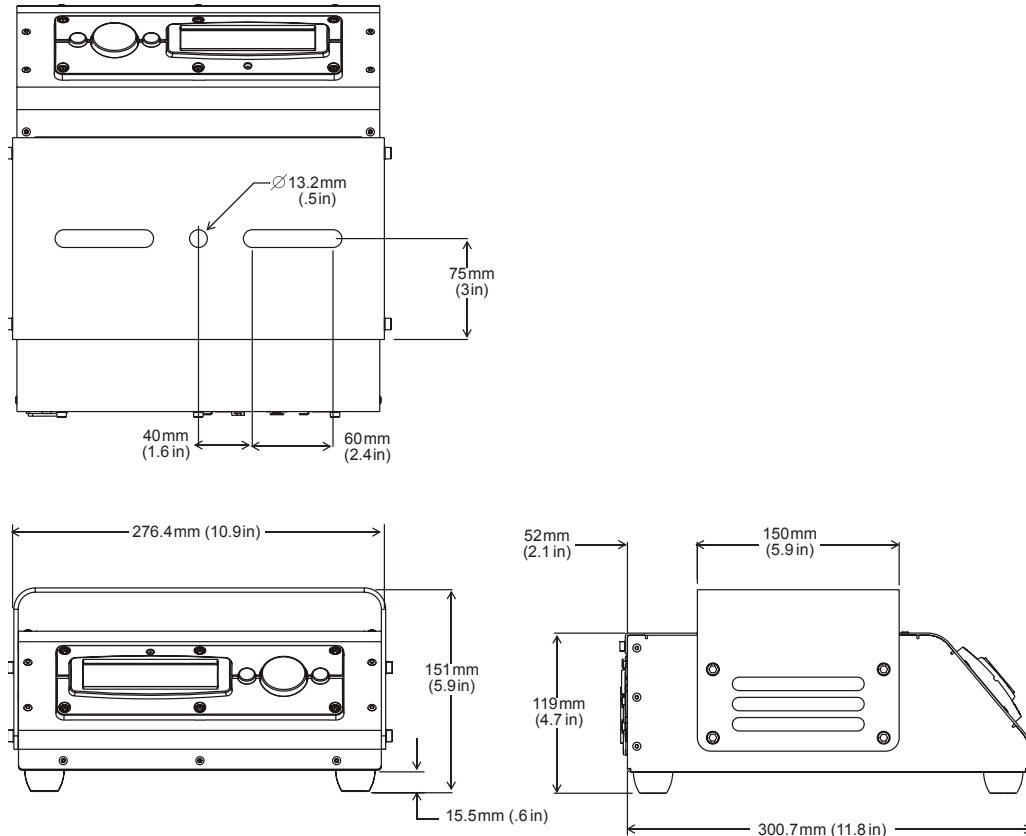
Weight: 12.7kg (28lbs)



Power Hub

Dimensions: 276 mm x 301 mm x 120 mm (10.9 in x 11.8 in x 4.7 in).

Weight: 2.3 kg (5 lbs)



Roadcase

Dimensions (including casters): 1150 mm x 622 mm x 660 mm (45 in x 24.5 in x 26 in)

Weight (with components loaded): 71.7 kg (158 lbs)

Recommended Projector Lens Options for ArenaView

One of the following lens options are recommended for optimal performance:

Barco Part #	Lens	Description
R9862040	2.5-4.5:1 Zoom Lens	When used with the SXGA+ products, this lens has a 2.5-4.5:1 throw ratio. If used with the DW3K or DW6K, the lens will provide a 2.8-5.0:1 throw ratio.
R9862999	4.5-7.3:1 Zoom Lens	When used with the SXGA+ products, this lens has a 4.5-7.3:1 throw ratio. If used with the DW3K or DW6K, the lens will provide a 5.0-8.0:1 throw ratio.

Electrical Specifications

The following electrical specifications apply to the Power Hub component of the ArenaView Orbital Head System.



Warning: Class I equipment – This equipment must be earthed

Universal Input from 100–230 VAC, (50–60Hz)

Rated power: 100 W

Fuse: Power supply output fuse: 2.5A, 250V slow blow only.

Environmental Specifications

Maximum ambient temperature (Ta): 40° C

IP Rating: IP 20

Cable and Connector Specifications

DMX

Cables: Belden 9841 or equivalent (meets specifications for EIA RS-485 applications) with the following characteristics:

- 4-conductor two twisted pairs plus a shield
- Maximum capacitance between conductors: 30 pF/ft
- Maximum capacitance between conductor and shield: 55 pF/ft
- Maximum resistance: 20 Ohm/100 ft
- Nominal impedance: 100–140 Ohm

Connectors: Two 5-pin male and female XLR connectors:

- Pin 1 Ground
- Pin 2 Data–
- Pin 3 Data+
- Pin 4 Secondary data–
- Pin 5 Secondary data+

Terminator: 5-pin male XLR connector with a 120 Ohm terminating resistor fitted between pins 2 and 3.

Mirror Head to Power Hub Connection

Cable: 4-conductor, 1.5 mm² with a maximum length of 2 meters.

Connectors: 4-pin male and female XLR connectors:

- Pin 1 Ground
- Pin 2 Data Complement
- Pin 3 Data True
- Pin 4 +40V